

DH-IPC-HDW1430T1-S5

4MP Entry IR Fixed-focal Eyeball Network Camera



Series Overview

With features of simple installation, easy operation, and high performance-cost ratio, Dahua Entry series network camera is applicable to small and medium-sized scenes, such as homes/residences, small-sized retail stores, and other small and medium-sized enterprises.

Functions

Smart H.265+ & Smart H.264+

With advanced scene-adaptive rate control algorithm, Dahua smart encoding technology realizes the higher encoding efficiency than H.265 and H.264, provides high-quality video, and reduces the cost of storage and transmission.

Smart Illumination

Dahua Smart Illumination technology can display image in the environment of low illuminance or completely dark environment. According to the distance of the targets, the camera adjusts illuminations intensity automatically to display the details of the moving target.

Motion Detection

When moving objects appear in the monitoring image, Dahua Motion Detection technology triggers alarm or records.

- 4-MP 1/3" CMOS image sensor, low luminance, and high definition image.
- Outputs max. 4 MP (2560 × 1440)@25/30 fps.
- H.265 codec, high compression rate, ultra-low bit rate.
- Built-in IR LED, and the max. illumination distance is 30 m.
- ROI, SMART H.264+/H.265+, flexible coding, applicable to various bandwidth and storage environments.
- DWDR, 3D NR, HLC, BLC, digital watermarking, applicable to various monitoring scenes.
- Abnormality detection: Motion detection, video tampering, network disconnection, IP conflict and illegal access.
- 12 VDC/PoE power supply, easy for installation.
- IP67 protection.



Cyber Security

Dahua network cameras employ a series of security technologies, including security authentication and authorization, access control protocols, trusted protection, encrypted transmission and encrypted storage. These technologies improve the camera's defense against external cyber threats and prevent malicious programs from compromising the device.

Protection (IP67, Wide Voltage)

IP67: The camera passes a series of strict test on dust and soak. It has dust-proof function, and the enclosure can work normally after soaking in 1 m deep water for 30 minutes.

Wide voltage: The camera allows $\pm 30\%$ (for some power supplies) input voltage tolerance (wide voltage range), and it is widely applied to outdoor environment with instable voltage.

Technical Specification

Camera

Image Sensor	1/3" CMOS
Max. Resolution	2560 (H) × 1440 (V)
ROM	16 MB
RAM	64 MB
Scanning System	Progressive
Electronic Shutter Speed	Auto/Manual 1/3 s–1/100,000 s
Min. Illumination	0.03 lux@F2.0 (Color, 30 IRE) 0.003 lux@F2.0 (B/W, 30 IRE) 0 lux (Illuminator on)
S/N Ratio	>56 dB
Illumination Distance	30 m (98.43 ft) (IR)
Illuminator On/Off Control	Auto; Manual
Illuminator Number	1 (IR LED)
Pan/Tilt/Rotation Range	Pan: 0°–355° Tilt: 0°–78° Rotation: 0°–355°

Lens

Lens Type	Fixed-focal				
Lens Mount	M12				
Focal Length	2.8 mm; 3.6 mm				
Max. Aperture	F2.0				
Field of View	2.8 mm: H: 90°; V: 50°; D: 107° 3.6 mm: H: 76°; V: 40°; D: 92°				
Iris Control	Fixed				
Close Focus Distance	2.8 mm: 1 m (3.28 ft) 3.6 mm: 1.4 m (4.59 ft)				
DORI Distance	Lens	Detect	Observe	Recognize	Identify
	2.8 mm	68.0 m (223.10 ft)	27.2 m (89.24 ft)	13.6 m (44.62 ft)	6.8 m (22.31 ft)
	3.6 mm	85.2 m (279.52 ft)	34.1 m (111.88 ft)	17.0 m (55.77 ft)	8.5 m (27.88 ft)

Video

Video Compression	H.265; H.264; H.264B; MJPEG (Only supported by the sub stream)
Smart Codec	Smart H.265+; Smart H.264+
Video Frame Rate	Main stream: 2560 × 1440@(1–25/30 fps) Sub stream: 704 × 576@(1–25 fps)/704 × 480@(1–30 fps) *The values above are the max. frame rates of each stream; for multiple streams, the values will be subjected to the total encoding capacity.
Stream Capability	2 streams
Resolution	4M (2560 × 1440); 3M (2304 × 1296); 1080p (1920 × 1080); 1.3M (1280 × 960); 720p (1280 × 720); D1 (704 × 576/704 × 480); VGA (640 × 480); CIF (352 × 288/352 × 240)
Bit Rate Control	CBR/VBR
Video Bit Rate	H.264: 32 kbps–4096 kbps H.265: 12 kbps–4096 kbps

Day/Night	Auto (ICR)/Color/B/W
BLC	Yes
HLC	Yes
WDR	DWDR
White Balance	Auto; natural; street lamp; outdoor; manual; regional custom
Gain Control	Auto; Manual
Noise Reduction	3D NR
Motion Detection	OFF/ON (4 areas, rectangular)
Region of Interest (RoI)	Yes (4 areas)
Smart Illumination	Yes
Image Rotation	0°/180° (0° by default)
Mirror	Yes
Privacy Masking	4 areas

Alarm

Alarm Event	Network disconnection; IP conflict; illegal access; motion detection; video tampering; security exception
-------------	---

Network

Network Port	RJ-45 (10/100 Base-T)
SDK and API	Yes
Network Protocol	IPv4; IPv6; HTTP; TCP; UDP; ARP; RTP; RTSP; RTCP; SMTP; FTP; DHCP; DNS; DDNS; NTP; Multicast
Interoperability	ONVIF (Profile S/Profile T); CGI; P2P
User/Host	6 (Total bandwidth: 24 M)
Storage	FTP
Browser	IE Chrome Firefox
Management Software	Smart PSS; DSS; DMSS
Mobile Client	iOS; Android
Cyber Security	Configuration encryption; Trusted execution; Digest; Security logs; HTTPS; Trusted upgrade; WSSE; Trusted boot; Account lockout; Generation and importing of X.509 certification; Video encryption

Certification

Certifications	CE-LVD: EN 62368-1 CE-EMC: Electromagnetic Compatibility Directive 2014/30/EU FCC: 47 CFR FCC Part 15, Subpart B
----------------	--

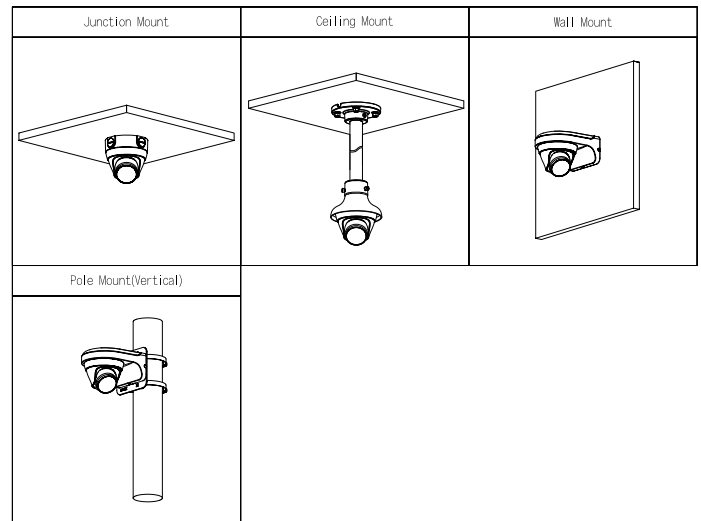
Power

Power Supply	12 VDC/PoE (802.3af)
Power Consumption	Basic: 1.6 W (12 VDC); 2.4 W (PoE) Max. (ICR + H.265+IR intensity): 3.6 W (12 VDC); 4.7 W (PoE)

Environment

Operating Temperature	–40 °C to +60 °C (–40 °F to +140 °F)
Operating Humidity	≤95%

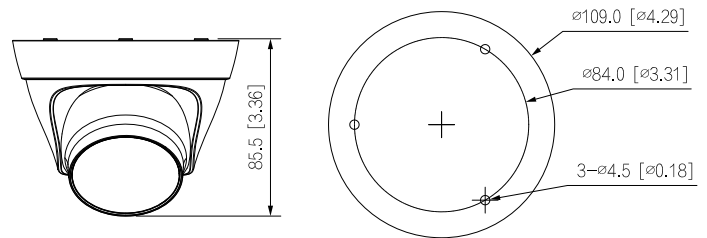
Storage Temperature	-40 °C to +60 °C (-40 °F to +140 °F)
Protection	IP67
Structure	
Casing Material	Inner core: Metal + Plastic Cover: Plastic Decoration ring: Plastic Pedestal: Plastic
Product Dimensions	85.5 mm × Ø109 mm (3.37" × Ø4.29")
Net Weight	0.25 kg (0.55 lb)
Gross Weight	0.38 kg (0.83 lb)



Ordering Information

Type	Model	Description
4MP Camera	DH-IPC-HDW1430T1-S5	4MP Entry IR Fixed-focal Eyeball Network Camera
Accessories (Optional)	PFA136	Junction Box
	PFB203W	Wall Mount Bracket
	PFA152-E	Pole Mount Bracket
	PFA106	Mount Adapter
	PFB220C	Ceiling Mount Bracket
	PFM321D	12 VDC 1A Power Adapter
	PFM900-E	Integrated Mount Tester

Dimensions (mm[inch])



Accessories

Optional:



PFA136
Junction Box



PFB203W
Wall Mount



PFA106
Mount Adapter



PFB220C
Ceiling Mount



PFA152-E
Pole Mount



PFM321D
12 VDC 1A Power
Adapter



PFM900-E
Integrated Mount
Tester