

DHI-HY-C136

Conventional Heat Detector



- 4W-B Heat Detector, compatible with remote indicator
- Non-loosening screws on base terminal for easy installation
- Contacts material is highly acid-resistant and rust-resistant

System Overview

The DHI-HY-C136 is a 4W-B non-addressable heat detector that operates on a polarity-free two-wire power supply. It primarily utilizes a thermal sensing element to detect fires. During the initial stage of a fire, significant heat is released, causing a rapid increase in the surrounding temperature. The thermal sensing element in the detector undergoes a physical change, responding to abnormal temperature, rate of temperature change, and temperature differentials. This transforms the temperature signal into an electrical signal, triggering an alarm.

Functions

Sensitive Heat detection

The detector uses a sensitive thermal element to monitor temperature and emits an alarm when a fire raises the temperature.

Non-Addressability

It is plug-and-play, requiring no address coding, and offers convenient debugging.

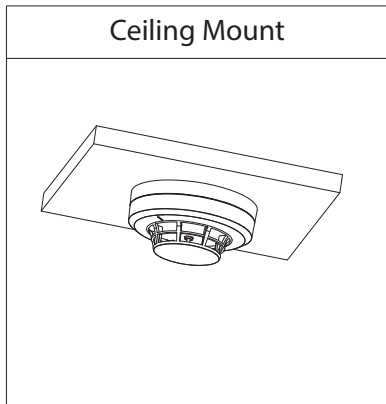
Scene

It is designed for use with conventional fire alarm control panels and is suitable for a variety of civilian and industrial buildings, including residential properties, hotels, office buildings, educational institutions, banks, libraries, warehouses, computer rooms, communication rooms, and archival storage facilities.

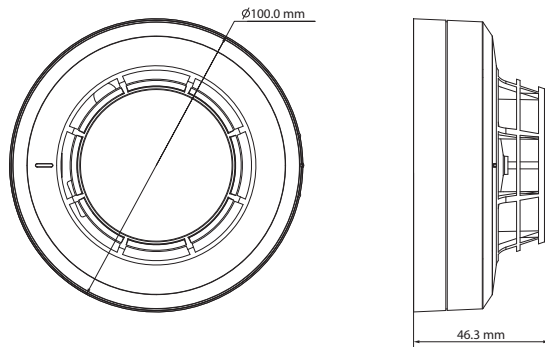
Technical Specification

Surveillance Area	For installation heights below 4 m, the coverage area is 150 m ² For installation heights between 4 m and 12 m, the coverage area is 80 m ²
Alarm mode	Indicator light alarm
Operating Voltage	DC 24V
Operating Current	Static current: ≤ 500μA Alarm current: ≤ 25mA
Operating Temperature	-10°C to +50°C (14°F to 122°F)
Operating Humidity	≤ 95% RH (no condensation)
Dimensions (with base)	Φ100 mm × 46.3 mm (Φ 3.94" × 1.82")
Weight (with base)	102 g (0.22 lb)
Installation	Ceiling Mount

Installation



Dimensions (mm/inch)



Ordering Information

Type	Model	Description
Conventional Heat Detector	DHI-HY-C136	Conventional Heat Detector