

Bridge Type Tripod Turnstile



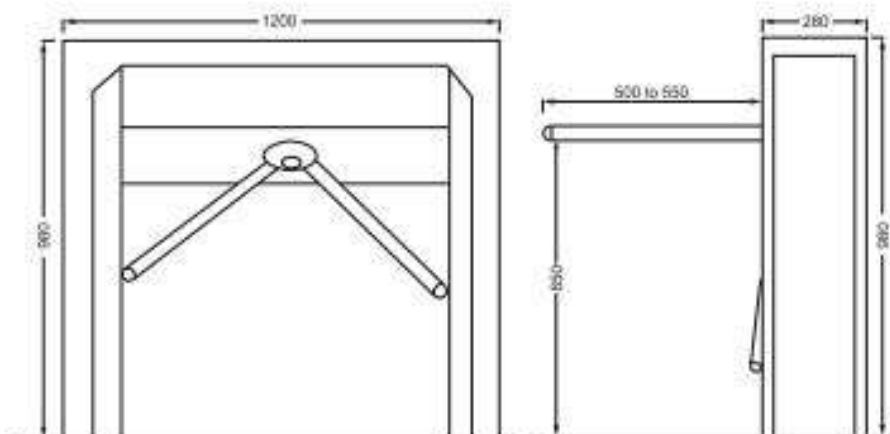
EF-TB6000

- Auto replacement function, reposition after person pass by
- Anti tail function auto-lock once turn 120°
- Arms auto drop when power off, ensure unblocked when accident
- Standard electronic interface, remote control through internet which could also connect variety of card readers and receive relay signal to work
- Diverse control mode optional, changeable due to varying, convenient for your manage
- Auto alert error function, comfort for user maintain and operate
- Manual button or remote control, Bi-directional passage
- Open signal with memory or with out set function
- Red and green light to show pass or stop, leisure to exit and entrance

Key Features

- Cabinet & Internal Structure is in 304 SS grade.
- Length of Swing Arm 500 to 550mm
- With drop arm features
- Unlock Time 0.6 second
- Passing Speed 30-40 Person/Min.
- Passing Width 500-550mm
- Power Supply AC220,50/60Hz
- Operational Voltage Motor (24V)
- Working Temp -10°C to +60°C
- Protection Level IP55
- Electro Mechanical Drive DC
- Dimension Excluding Bars (H980xW1200xD280mm)

Dimension (mm)



Specification

Specification

EF-TB6000

Structure	Frame or 304 Stainless steel cover
-----------	------------------------------------

Open angle	120°
------------	------

Drive voltage	AC12V+AC18V
---------------	-------------

Pass speed	30 ~ 40 Person/Minutes
------------	------------------------

Power Voltage	AC220 ± 10%, 50Hz
---------------	-------------------

Operation condition	-10°C ~ 60°C
---------------------	--------------

Relative humidity	None-condensation
-------------------	-------------------

Open direction	Single and Double
----------------	-------------------

Work environment	Outdoor and indoor
------------------	--------------------

Working Current	≤ 2000 mA
-----------------	-----------

IP Degree	IP55
-----------	------

Length of the bar	500mm ~ 550MM
-------------------	---------------

Width of passage	≤ 550mm
------------------	---------

Duty Cycle	100%
------------	------