

VTM08R

VTM08R Rain Cover



- Surface-mounted rain cover for VTO3221E

Technical Specification

Performance

Casing	Aluminum alloy
--------	----------------

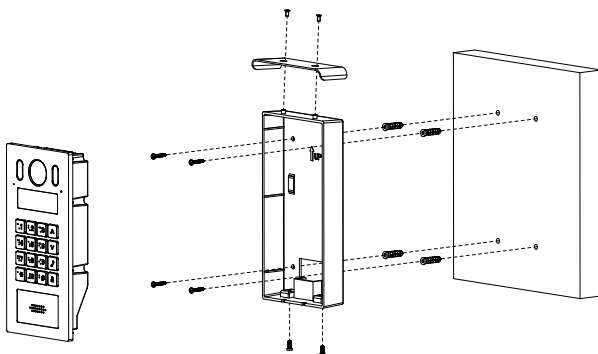
General

Color	Silver
Installation	Surface mount
Dimensions	205.1 mm × 108.9 mm × 39.8 mm (8.01" × 4.29" × 1.57")
Protection Grade	IP65 (silicone sealant is needed)
Net Weight	301 g
Gross Weight	452 g

Ordering Information

Type	Model	Description
VTO Rain Cover	VTM08R	Surface-mounted Rain Cover for VTO3221E

Installation



Dimensions (mm[inch])

