

# DHI-ASGY5XXB-X

## Flap Turnstile



- Barriers will be closed automatically if no one enters the turnstile after the identity is verified.
- Parameters can be restored to default settings.
- Supports sound and light alarm, and volume adjustment.
- Supports controlling the barriers with a remote control (optional).
- Four types of security settings for different application.
- Supports alarm signals output, and setting normally open mode when receiving fire alarm signal.
- Support mechanical and IR anti-pinch, and anti-collision.
- Supports nine passing modes: authorized pass, no pass, free pass, etc.
- Supports adjusting unlock and lock speed, passing duration, and lock delay duration.
- Support second unlock, memory mode, and configuring the unlocking status during power disconnection (optional).
- Support sound and light alarms of intrusion, trailing, entering or exiting against the direction of others, overstay, unlock exception, climbing, barrier/IR/communication exception, etc.
- Supports multiple authentication methods, by integrating face/fingerprint/QR code/CPU card reader/ID card reading modules.

### Introduction

DHI-ASGY5XXB-X Flap turnstile integrates functions such as access control and alarms. With the included IC card reading module, the turnstile can work with additional modules to form an access control system, such as a fingerprint scanner, bar code reader and face recognition device.

### Scene

Applicable to residential areas, schools, governments, factories, industrial zones, office buildings, etc.

### Technical Specification

#### Basic

Dimensions	1400 mm × 280 mm × 1000mm (55.12" × 11.02" × 39.37") (L × W × H)
Surface Texture	Ink brushed
Barrier	Acrylic
Motor	DC brushless servo motor
IR Detector	12 pairs

#### Function

Anti-collision	Yes
Anti-pinch	Yes
Memory Mode	Yes

Anti-tailing	Yes
Sound & Light Alarm	Yes
People Counting	Yes
Alarm	Yes
Second Unlock	Yes

#### Performance

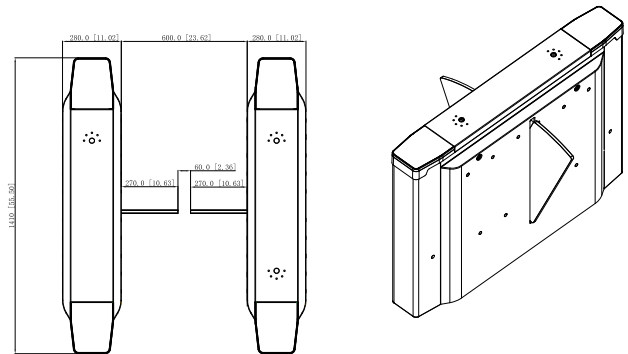
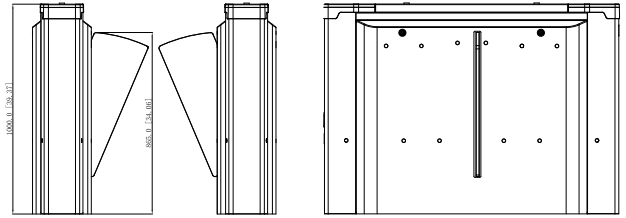
Lock/Unlock Speed	0.7 s–2.4 s (adjustable)
Pass Duration	2 s–60 s (adjustable)
Lock Delay Duration	0 s–60 s (adjustable)
MCBF	≥ 5 million times
Passing Frequency	20–60 people/minute
Passage Width	Standard: 600 mm
Casing	SUS304 (1.2 mm)

#### General

Net Weight	85 kg (165.35 lb) (single-motor); 120 kg (264.55 lb) (double-motor)
------------	--

Gross Weight	105 kg (231.48 lb) (single-motor); 140 kg (308.65 lb) (double-motor)
Power Consumption	Single-motor module turnstile: ≤ 10W (standby); ≤ 130W (working) Double-motor module turnstile: ≤ 20W (standby); ≤ 260W (working)
Packaging	Wooden box
Operating Temperature	-25°C to +70°C (-13°F to +158°F)
Operating Humidity	5%–90% (RH) (non-condensing)
Operating Environment	Indoor and outdoor

## Dimensions (mm [inch])



## Ordering Information

Type	Model	Description
Flap Turnstile	DHI-ASGY510B-L	Flap Turnstile-DHI-ASGY510B-L
Flap Turnstile	DHI-ASGY511B-L	Flap Turnstile-DHI-ASGY511B-L
Flap Turnstile	DHI-ASGY520B-D1	Flap Turnstile-DHI-ASGY520B-D1
Flap Turnstile	DHI-ASGY520B-D2	Flap Turnstile-DHI-ASGY520B-D2
Flap Turnstile	DHI-ASGY510B-R1	Flap Turnstile-DHI-ASGY510B-R1
Flap Turnstile	DHI-ASGY510B-R2	Flap Turnstile-DHI-ASGY510B-R2
Flap Turnstile	DHI-ASGY521B-D1	Flap Turnstile-DHI-ASGY521B-D1
Flap Turnstile	DHI-ASGY522B-D1	Flap Turnstile-DHI-ASGY522B-D1
Flap Turnstile	DHI-ASGY521B-D2	Flap Turnstile-DHI-ASGY521B-D2
Flap Turnstile	DHI-ASGY522B-D2	Flap Turnstile-DHI-ASGY522B-D2
Flap Turnstile	DHI-ASGY511B-R1	Flap Turnstile-DHI-ASGY511B-R1
Flap Turnstile	DHI-ASGY511B-R2	Flap Turnstile-DHI-ASGY511B-R2

## Application

