

DH-CS4226-24ET-240

26-Port Cloud Managed Desktop Switch with 24-Port PoE



- Meets the requirements of IEEE802.3, IEEE802.3u, IEEE802.3x, IEEE802.3ab, IEEE802.3z standards.
- Meets the requirements of IEEE802.3af, IEEE802.3at, Hi-PoE, and IEEE802.3bt power supply standards.
- Manages PoE power consumption and PoE power on/off. Supports Intelligent PoE.
- A wide operating temperature range and a full metal casing that is fully-enclosed and dust-proof.



Series Overview

Highly intuitive, the Smart Managed Switch can manage local networks. With the DoLink Care platform, it can also perform cloud management. The switch performs operation and maintenance using topology visualization on front-end, transmission and back-end storage devices that are in the security system and IT system. With its full metal design, the switch has great heat dissipation and can operate in temperatures ranging -10°C to 55°C. It offers EMC and has protection against overvoltage, overcurrent, static electricity, lightning strikes, pulses and other types of interference. For the PoE series Smart Managed Switch, power is supplied up to 250 meters away. The orange port supplies up to 60 W and the red port provides up to 90 W. Also, link aggregation and STP are available on select models to ensure the network remains stable. The switch can be used in small and medium-sized businesses such as supermarkets, offices, restaurants, cafés and hotels.

Functions

Cloud Management

Devices can be managed through the DoLink Care app and performs real-time monitoring of the network. The app also displays the status of devices, triggers alarms for errors in real time and sends notifications.

Network Topology Management

Supports the LLDP protocol and is able to generate and display the network topology, so that you can quickly identify issues, and perform operation and maintenance remotely on devices that are in the topology.

BT 90W (Red Port)

The red ports support IEEE802.3af, IEEE802.3at, IEEE802.3bt and Hi-PoE standards, with a maximum output power consumption of 90W per port. Suitable for powering high-power devices.

Long Distance PoE

The transmission distance of a PoE port can be up to 250 m, meeting the requirement of wired transmission (bandwidth reduced to 10 Mbps).

PoE Watchdog

Adopts the innovative PoE Watchdog. PoE Watchdog can be switched on by dialing/turning on the WEB page switch. It enables the switch to automatically detect port status and restart the failed ports to recover connection in case of IPC connection exception. This enables intelligent operation and maintenance management in its true sense and effectively reduces manual maintenance costs.

Loop Protection

When a loop is detected, the loop alarm will be triggered and the elimination mechanism will activate to prevent broadcast storms from occurring.

Scene

Suitable for scenes such as houses, factories and offices.

Technical Specification

Hardware

| | |
|-------------------------------|--|
| Included Power Adapter | Yes |
| PoE | Yes |
| Ethernet Port | 24 |
| Ethernet Port Speed | 10/100 Mbps |
| Optical Port Speed | 1000 Mbps |
| Ethernet Port Uplink Speed | 10/100/1000 Mbps |
| Optical Port Uplink Speed | 1 Gbps |
| Description of Function Slots | Port 1-24: 24 × RJ-45 10/100 Mbps (PoE); Port 25-26: 2 × RJ-45 10/100/1000 Mbps (combo); Port 25-26: 2 × SFP 1000 Mbps (combo) |
| Reset Button | 1 |
| Power Supply | Built-in power supply: 100-240 VDC, 47-63 Hz, max 4 A |
| Operating Temperature | -10 °C to +55 °C (+14 °F to +131 °F) |
| Operating Humidity | 5%–95% (RH), non-condensing |
| Storage Temperature | -40 °C to +70 °C (-40 °F to +158 °F) |
| Storage Humidity | 5%–95% (RH), non-condensing |
| Power Consumption | Idling: ≤8.5 W ; Full load: 265 W |

Performance

| | |
|------------------------|--|
| Layer | Layer 2 |
| Management Type | Yes |
| Smart Managed Switch | Yes |
| MTBF | 64.20 years |
| Switching Capacity | 8.8 Gbps |
| Packet Forwarding Rate | 6.55 Mpps |
| Packet Buffer Size | 4 Mbit |
| Jumbo Frame | 15K Byte |
| MAC Table Size | 8K |
| VLAN Number | 32 |
| Communication Standard | IEEE802.3; IEEE802.3u; IEEE802.3x; IEEE802.3ab; IEEE802.3z |

Feature

| | |
|----------------------------------|--|
| PoE Protocol | IEEE802.3af; IEEE802.3at; Hi-PoE; IEEE802.3bt |
| PoE Power | Port 1-2 ≤ 90 W, Port 3-24 ≤ 30 W, total ≤ 240 W |
| PoE Power Consumption Management | Yes |
| PoE Pin Assignment | 1,2,4,5 (V+) ,3,6,7,8 (V-) |
| Long Distance PoE Transmission | Yes |
| VLAN Function | Port-based VLAN |
| IEEE 802.3x Flow Control | Yes |
| DHCP Function | DHCP Client |

| | |
|----------------------|--------------------------------|
| Equipment Management | Web management; App management |
|----------------------|--------------------------------|

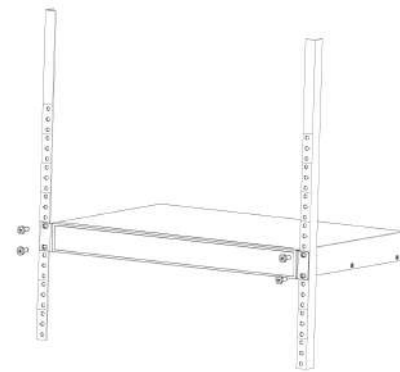
General

| | |
|----------------------|---|
| Statics Protection | Air discharge: 8 kV; Contact discharge: 6 kV |
| Lighting Protection | Common mode: 4 kV; Differential mode: 2 kV |
| Net Weight | 2.47 kg (5.43 lb) |
| Gross Weight | 3.12 kg (6.86 lb) |
| Product Dimensions | 440 mm × 220 mm × 44 mm (17.32" × 8.66" × 1.73") (L × W × H) |
| Packaging Dimensions | 540 mm × 342 mm × 90 mm (21.26" × 13.46" × 3.54") (L × W × H) |
| Casing Material | Sheet metal |
| Installation | Desktop mount; rack mount |

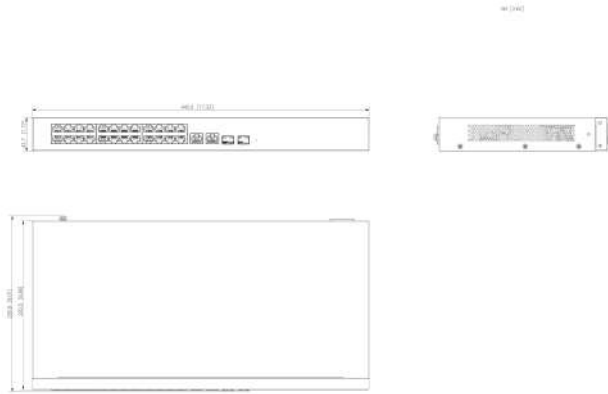
Ordering Information

| Type | Part Number | Description |
|------------|--------------------|---|
| PoE Switch | DH-CS4226-24ET-240 | 26-Port Cloud Managed Desktop Switch with 24-Port PoE |

Installation



Dimensions (mm[inch])



Panels

