

# DHI-ASGG2XXA-X

## Tripod Turnstile



- With electromechanical integration technology, special turn plate, and stable self lock feature.
- Support unlock authority management and events record.
- Number of people entering and exit an area can be calculated. Statistics can be viewed on the turnstile.
- A group of people of certain number can pass the turnstile consecutively. After the last person passes the turnstile, the tripod barrier rod will be locked.
- Can be connected to fire alarm devices. After receiving alarm signals, the tripod barrier rod will be released, and people can pass the turnstile without identity verification; when alarm signal stops, raise the tripod barrier rod manually, and the tripod barrier rod will be locked automatically.
- Can be connected to face recognition module, QR code scanning module, CPU card reader module, and ID card reader module to realize multiple unlock methods.
- Platform: SmartPss

### Technical Specification

#### General

Dimension	1200 mm×2980 mm×980mm (47.24"×117.32"×38.58")
Surface Processing	Wire Drawing
Cabinet Material	SUS304 1.2mm
Tripod Turnstile Rod Material	Stainless steel
Motor Type	Mechanical drive
Switch Quantity Port	9 DO output, 1 12V power output, 5 DI input

#### Function

Voice and Light Prompt	Yes
Angle Detection	Yes
Tripod Turnstile Rod Rotation	Yes
People Count	Yes
Sending Alarm	Yes

#### Performance

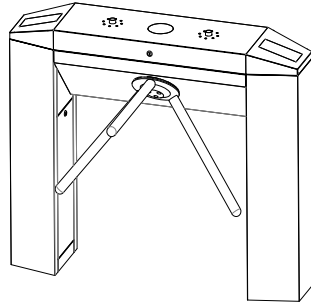
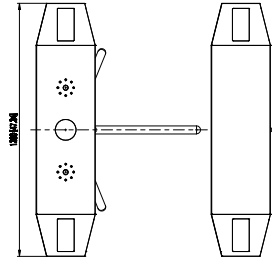
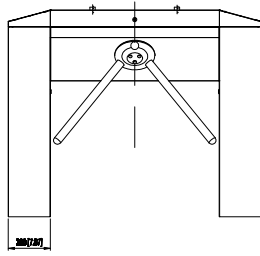
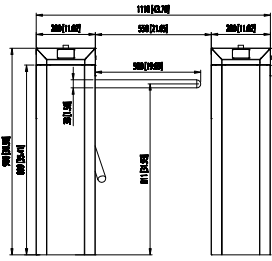
Lock and Unclcl Limit	≥2 million times
Passage Frequency	20 persons/minutes to 40 persons/minute
Noise Decible Level	Less than 60dB within 1.5 m
Passage Width	550 mm (1.80 ft)

Gross Weight	≤75kg (165.35 lb)
Net Weight	≤55kg (121.25 lb)
Packaging Material	Wooden pallet and carton
Power Supply	220V AC±10%, 50/60HZ
Power Consumption	Standby: ≤50W; working≤90W
Operating Temperature	-10°C to +60°C (+14°F to +140°F)
Operating Humidity	10%RH–93%RH
Operating Environment	Outdoor

### Ordering Information

Type	Part Number	Description
Tripod Turnstile	DHI-ASGG220A	Tripod Turnstile (single core mechanism, installed outdoors)-DHI-ASGG220A-Non ROHS
	DHI-ASGG221A	Tripod Turnstile (single core mechanism, one face recognition access standalone installation hole, installed outdoors)-DHI-ASGG221A-Non ROHS
	DHI-ASGG222A	Tripod Turnstile (single core mechanism, two face recognition access standalone installation holes, installed outdoors)-DHI-ASGG222A-Non ROHS
Empty Turnstile	DHI-ASGG200A	Tripod Turnstile-DHI-ASGG2000A

Dimensions (mm[inch])



Application

