

# DHI-ITSJC-2303-DC12

## 79 GHz Anti-smashing Radar



- Uses the latest algorithm to filter interference and is suitable for advertising barriers, fence arm barriers, straight arm barriers, and folding arm barriers.
- Adjustable detection distance and width, applicable to multiple scenes.
- Supports updating through serial port and mobile app (with Wi-Fi connection), and allows online commissioning and firmware update.
- The radar reads the surroundings automatically, which makes it applicable to complicated scenes.
- Connects to cameras through RS-485 to obtain parameters and working logs of the radar on camera web interface.

### System Overview

The 79 GHz anti-smashing radar adopts leading technologies of high-precision microwave measurement and high-speed digital signal processing, endowing it with high accuracy, free of commissioning, and high stability. The radar is ideal for working with boom barrier to monitor and control vehicles entry and exit, and prevent the barrier arm from hitting the vehicles or human.

### Functions

#### Compatible with Various Barriers

Uses the latest algorithm to filter interference and is suitable for advertising barriers, fence arm barriers, straight arm barriers, and folding arm barriers.

#### Adjustable Detection Range

Adjustable detection distance and width, applicable to multiple scenes.

#### Easy for Commissioning

Supports updating through serial port and mobile app (with Wi-Fi connection), and allows online commissioning and firmware update.

#### Automatic Surroundings Reading

The radar reads the surroundings automatically, which makes it applicable to complicated scenes.

#### Easy to View Information

Connects to cameras through RS-485 to obtain parameters and working logs of the radar on camera web interface.

### Scene

Applicable for entrances/exits of malls, hospitals, schools, residential areas, office buildings and stations.

## Technical Specification

### Basic

Emission Frequency	77 GHz–80 GHz
Emission Power	≤ 10 mW
Beam Width	Vertical: ± 10°, horizontal: ± 36°
Response Time	50 ms
Detection Region	0.3 m–6 m (0.98 ft–19.69 ft) (adjustable)
Anti-smashing Region	0 m–2 m (0 ft–6.56 ft) (adjustable)

### Function

Detection Target	Human, vehicle
Online Commissioning	Yes, through serial port or mobile app (with Wi-Fi connection)
Update	Yes, through serial port or mobile app (with Wi-Fi connection)

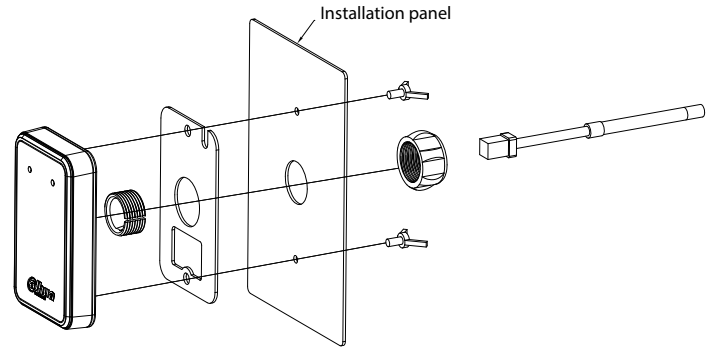
### Port

RS-485	1
I/O	2 (1 for update input, 1 for relay output)

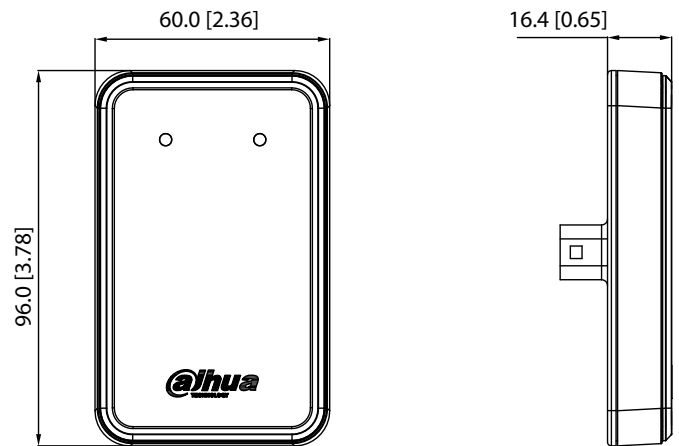
### General

Operating voltage	9 V–12 V DC
Operating Current	< 0.25 A
Power Consumption	< 3 W
Operating Temperature	–40 °C to +85 °C (–40 °F to +185 °F)
Protection Grade	IP66
Product Dimensions	96 mm × 60 mm × 16.4 mm (3.78" × 2.36" × 0.65") (L × W × H)
Net Weight	70 g ± 10 g (0.15 lb ± 0.02 lb)
Gross Weight	220 g ± 20 g (0.49 lb ± 0.04 lb)
Installation	Case side mount

## Installation



## Dimensions (mm[inch])



## Ordering Information

Type	Model	Description
Anti-smashing radar	DHI-ITSJC-2303-DC12	79 GHz distribution-specific anti-smashing radar
Accessories	SOY-1200330L	AC/DC power adpoter