

PFM322

Four in One Centralized DC Power Supply



Features

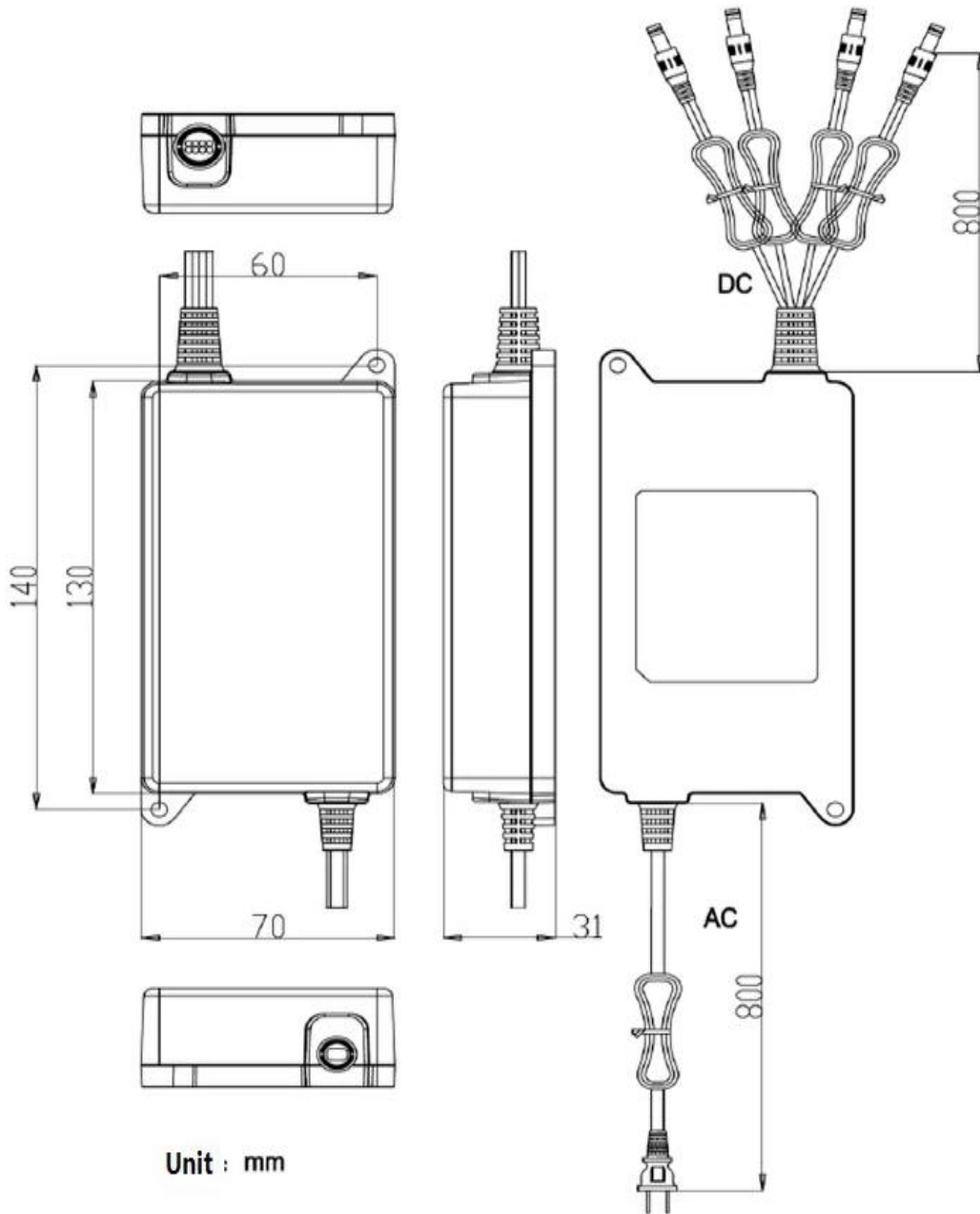
- Easy installation
- Four independent power supply ports output 0.7A
- Accurate overcurrent, overvoltage protection

Specifications

Model	PFM322
General	
Input	AC100~240V,50/60Hz, 0.6A Max
Output	DC12V(+ 7%,-3%)_0.7A(±3%)(each group)
Working temperature	-30~70°C
Working humidity	<90%
Weight	210g
Dimension	148mm×70mm×31mm
Installation mode	Plane installation
Color	Black
Outgoing line length	AC wire: 50cm, DC wire: 80cm
Certification	UL, CE, FCC, CEC

PFM322

Dimensions (mm)



Unit : mm

Dahua Technology Co., Ltd.

1199 BinAn Road, Binjiang District, Hangzhou, China

Tel: +86-571-87688883

Fax: +86-571-87688815

Email: overseas@dahuatech.com

www.dahuasecurity.com

*Design and specifications are subject to change without notice.

© 2014 Dahua Technology Co., Ltd.