

# DH-PFA150

## Pole Mount Bracket



### Features

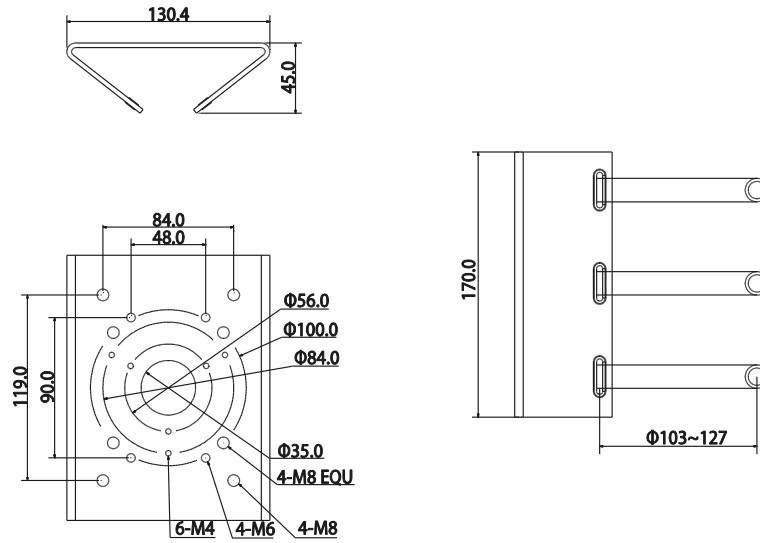
- Material: SECC
- Pole Mount Bracket
- Neat & Integrated design

### Specifications

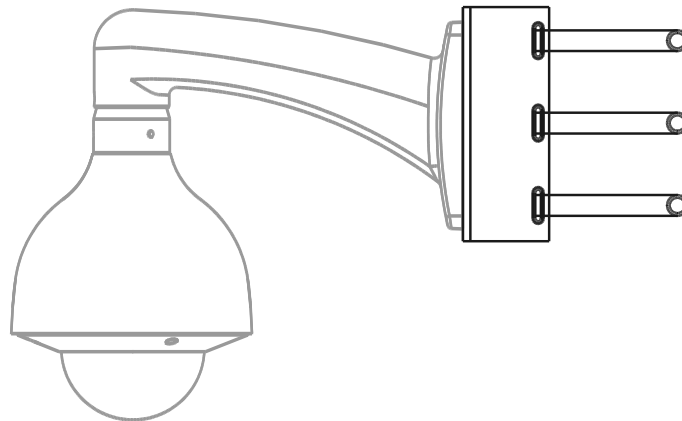
<b>Model</b>	<b>DH-PFA150</b>
<b>General</b>	
Material	SECC
Dimension (W x H x D)	130.4mm x 170mm x 45mm
Pipe Thread	N/A
Operating Temperature	-40°C ~60°C
Humidity	0~90% RH
Load Bearing	10.0Kg
Weight	1Kg
Applicable Model	PFB300S, PFB300W, PFB301W, PFA120, PFA130, PFA131, PFA140, PFB300C, HDC-HFW3200C, IPC-HFW(C)

# DH-PFA150

## Dimensions (mm)



## Application



---

### Dahua Technology Co., Ltd.

1187 BinAn Road, Binjiang District, Hangzhou, China

Tel: +86-571-87688883

Fax: +86-571-87688815

Email: [overseas@dahuatech.com](mailto:overseas@dahuatech.com)

[www.dahuasecurity.com](http://www.dahuasecurity.com)

\*Design and specifications are subject to change without notice.

© 2013 Dahua Technology Co., Ltd.