

DH-PFM886-10

Outdoor 5G Wireless video transmission device (Backhaul)



Features

- Support outdoor temperature: -30°C ~ 70°C , industrial design;
- Use the high-performance 802.11ac MIMO chip, and the highest rate can achieve 867Mbps;
- Support proprietary protocol TDMA; when the wireless devices open TDMA, other manufacturers will not be able to link them which ensure the system safety;
- PoE power supply, which supports international standard 802.3at and lets power supply be convenient and reliable;
- Support double firmware redundancy backup and make the maintenance operation be more safe and reliable;
- Support auto ranging function, real time display straight line distance between client and base station;
- Support device auto reboot function;
- Working frequency support 5745~5825MHz(extended range: 4920~6100MHz);
- Support flow control, effectively control base station/client input/output flow control;
- Support VLAN partition, realize virtual local network function, control broadcast storm;
- Support Web page and AC remote operations management and make the installation and maintenance be more convenient;

DH-PFM886-10

- Support SNMP v1/v2c/v3 network management protocol, adapt to all kinds of general network management platform, and make the equipment management be more convenient;
- Support multiple channel option (5M/10M/20M/40M), effectively improve anti-interference and penetration capability;
- Built-in professional lightning protection technology, which supports 6 kV port lightning protection ability to ensure that the poor working environment adaptability of outdoor and greatly reducing rate of lightning damage to equipment.

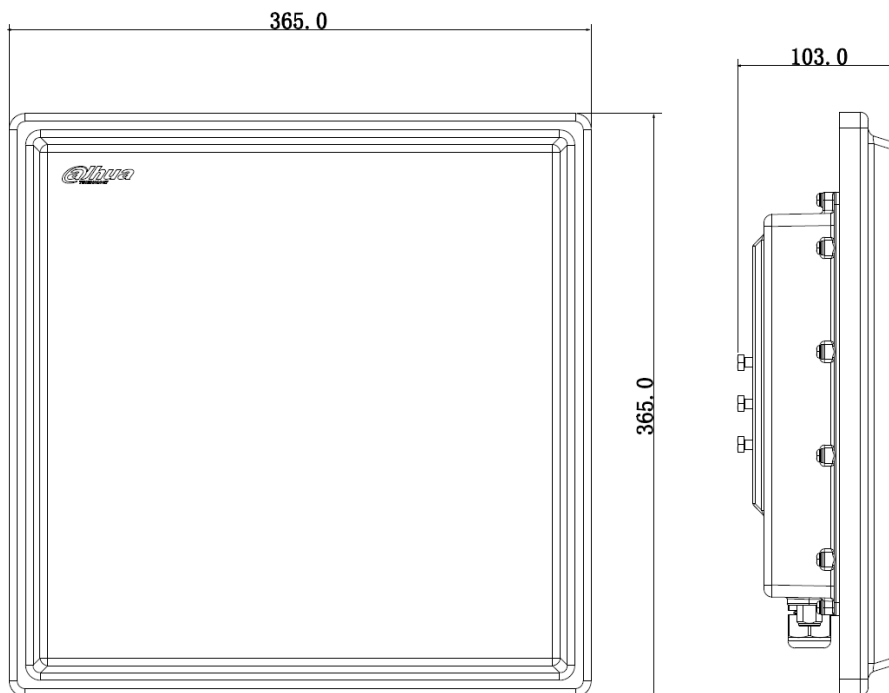
Specifications

Model	DH-PFM886-10
Wireless Features	
Wireless Standard	IEEE802.11 a/n/ac
Working Frequency	5745~5825MHz(support frequency to extend, extended range: 4920~6100MHz)
Wireless Speed	867Mbps
Modulation Mode	OFDM
Antenna	Internal antenna: gain 25dBi
Output Power	27dBm (max)
Receiving Sensitivity	11a: -91dBm@ 6Mbps 11n: -74dBm@MCS7 11ac: -67dBm@MCS9
Transmission Distance	0-10Km
Wireless Direction Angle	Horizontal 11°, vertical 11°
Hardware	
Power	1*PoE RJ45(IN: 220V, OUT: 48V/0.5A)
Power Consumption	Max. 15W
Ethernet Port	1*LAN RJ45(1Gbps)
Working Temperature	-30°C~+70°C
Storage Temperature	-40°C~+80°C
Working Humidity	5%~95%RH(no condensation)
Equipment Dimension	372mm×372mm×95mm
Equipment Weight	2.8Kg
Protection Level	IP66
Software	
Encryption Type	WPA-PSK/WPA2/CCMP(AES)/TKIP
Network Mode	Route/Network Bridge
Working Mode	Access Point/Client/WDS AP/WDS client
Security Mechanism	IP/MAC address filtering, hide network name and etc.
Network Protocol	TCP/UDP/ARP/ICMP/DHCP/HTTP/NTP

DH-PFM886-10

TDMA Enhancement	Support(TDMA eliminate hidden nodes influence and greatly improve one-to-many performance)
Auto ACK Timing Adjustment	Support(Auto optimize parameter within long-distance communication and make the performance optimal)
Management and Log	NTP, Syslog, Telnet, AC, SNMP
Webpage Configuration Management	Support webpage configuration, AC remote management and SNMP management
Firmware Update	Support Firmware webpage update and AC remote upgrade
Bandwidth Flexible Configuration	10/20/40/80MHz

Dimension (mm)



Application Scenarios

1. The wireless HD video monitoring for Forest fire prevention, oil field, natural gas

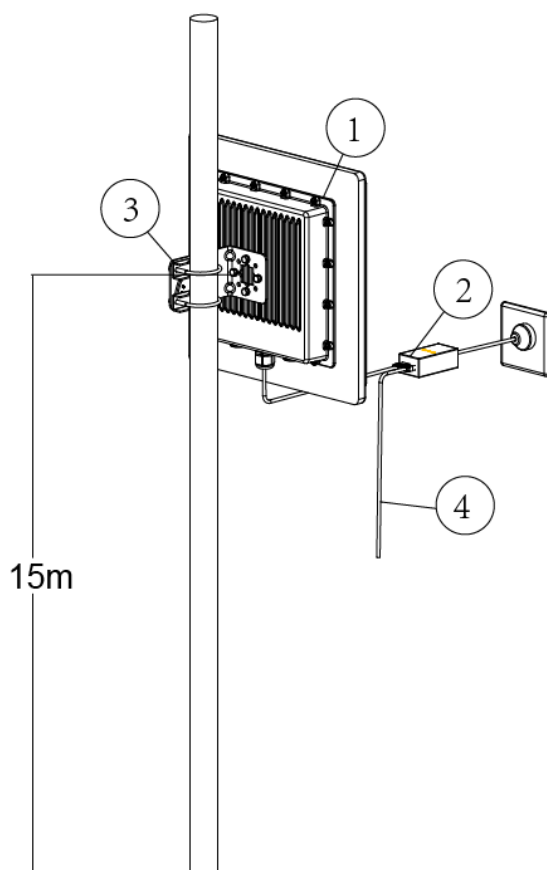
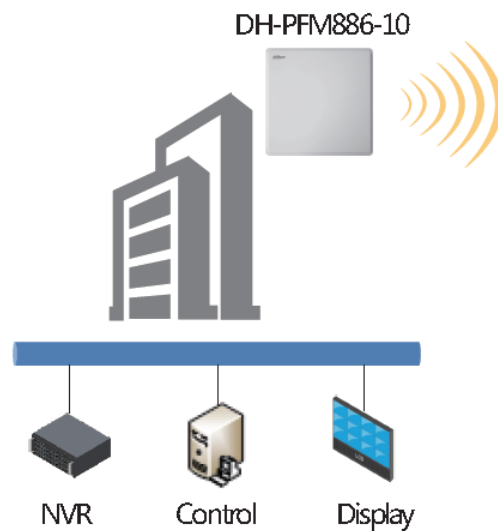
DH-PFM886-10

pipeline, electric power, water conservancy peaceful villages and towns, etc.

2. Basin, scenic spot, pastures, the crossroads of the outskirts, orchards and other no blocking scenarios.

Networking Mode

For point-to-point communication, generally adopt one device DH-PFM886-10 as a server, and it is set as access point, the other one DH-PFM886-10 device is set as client, as demonstrated below.



Connection Mode

DH-PFM886-10

1. DH-PFM886-10 wireless equipment
2. PoE power supply
3. Brackets of equipment
4. Network interface of POE power supply. Used for connecting PC.

Note:

The recommended installation height is 15m. The actual installation height is determined by the installation environment.

Dahua Technology Co., Ltd.

1199 BinAn Road, Binjiang District, Hangzhou, China

Tel: +86-571-87688883

Fax: +86-571-87688815

Email: overseas@dahuatech.com

www.dahuasecurity.com

*Design and specifications are subject to change without notice.

© 2016 Dahua Technology Co., Ltd.